

4

3

2

1

ITEM NO.	PART NUMBER	DESCRIPTION	QTY.
1	10BAY1045	IQ 14'0" - 15'0" BAY WALL MOUNT	1
2	10BAY1010	IQ 14'0" - 15'0" BAY WALL MOUNT RAIL SUPPORT	1
3	10BAY1046	IQ WALL MOUNT BACKER PLATE	2

ITEM NO.	PART NUMBER	DESCRIPTION	QTY.
4	FASEX001	FASTENER, ANCHOR, 5/16 - 18 X 1.3"	2
5	FAS1873	HX-SHCS 0.3125-18x1.25x1.25-S	2
6	FASEX002	8 HOLE INSIDE GUSSET CORNER BRACKET	1
7	FAS1650	SBHCSCREW 0.3125-18x0.625-HX-S	8
8	FAS3008	T-NUT, SS, SLIDE IN, OFFSET, ECONOMY, 5/16-18	8

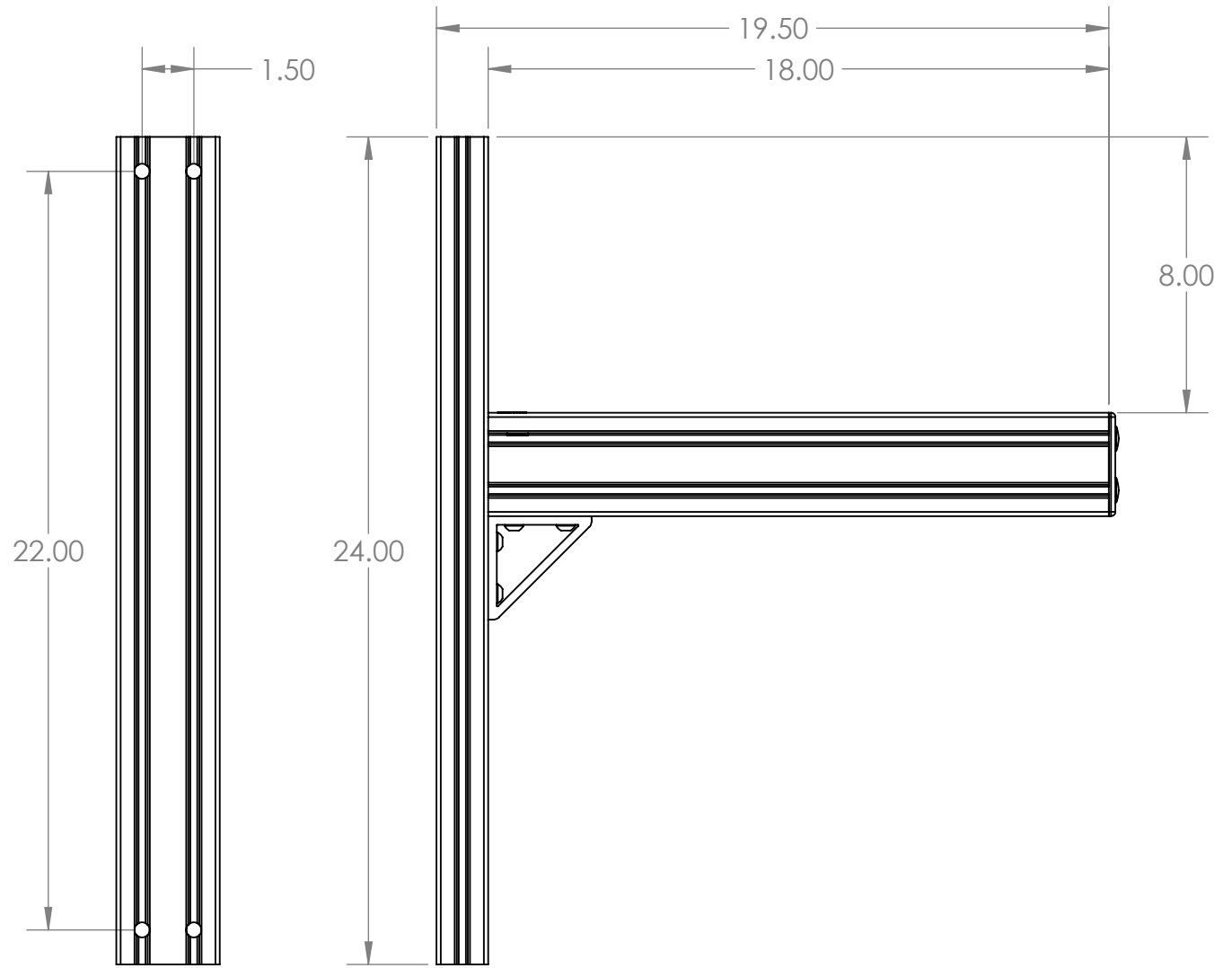
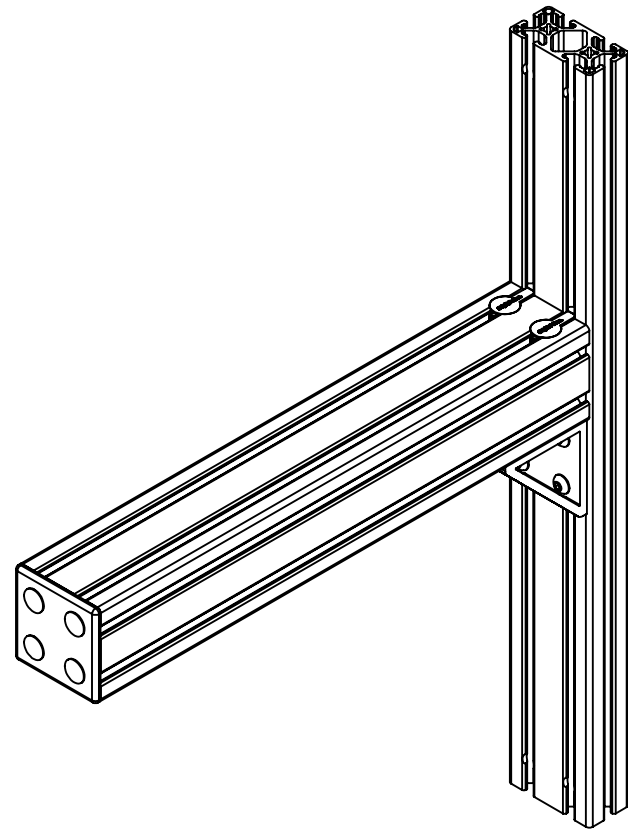
ITEM NO.	PART NUMBER	DESCRIPTION	QTY.
9	FASEX003	CAP, END, BLACK, 3030	1
10	FASEX010	FASTENER, PUSH-IN, 15 SERIES	4

B

B

A

A



**PROPRIETARY AND CONFIDENTIAL**  
 THE INFORMATION CONTAINED IN THIS DRAWING IS THE SOLE PROPERTY OF <INSERT COMPANY NAME HERE>. ANY REPRODUCTION IN PART OR AS A WHOLE WITHOUT THE WRITTEN PERMISSION OF <INSERT COMPANY NAME HERE> IS PROHIBITED.

		UNLESS OTHERWISE SPECIFIED:	NAME	DATE	TITLE: <b>IQ (14') 14'5" - 15' WALL MOUNT KIT</b> SIZE DWG. NO. REV <b>B 10KIT0100</b>
		DIMENSIONS ARE IN INCHES	DRAWN		
		TOLERANCES: FRACTIONAL ±	CHECKED		
		ANGULAR: MACH ± BEND ±	ENG APPR.		
		TWO PLACE DECIMAL ±	MFG APPR.		
		THREE PLACE DECIMAL ±	Q.A.		COMMENTS:
NEXT ASSY	USED ON	MATERIAL			
APPLICATION		FINISH			
		DO NOT SCALE DRAWING			

4

3

2

1

SCALE: 1:5 WEIGHT: SHEET 1 OF 1